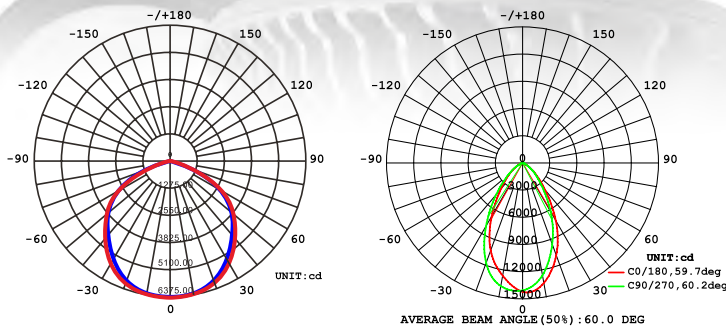


# High Bay Light

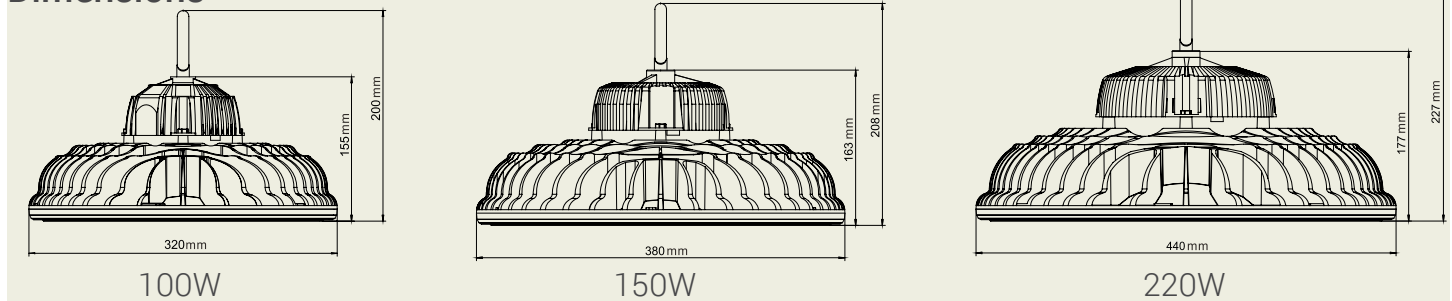


## Features

- Up to 115lm/W luminous efficiency
- LEDs driven at 50% capacity to extend the life and increase efficiency
- HBG Meanwell driver
- Die-cast aluminum housing with powder coating
- LM79, LM80, TM21 reports available



## Dimensions



## Technical data

Product number	ELS-HB100Wxx	ELS-HB150Wxx	ELS-HB220Wxx
LEDs Count	140	238	350
LED Brand	Lumileds Luxeon	Lumileds Luxeon	Lumileds Luxeon
Input Voltage (VAC)	90-305VAC 50/60Hz	90-305VAC 50/60Hz	90-305VAC 50/60Hz
Power (W)	94-98	150-160	225-240
Luminous Flux (lm)	9,600-11,000	15,900-17,200	22,500-26,000
Power Factor (PF)	>0.95	>0.95	>0.95
Color Temperature (K)	3000/4000/5700	3000/4000/5700	3000/4000/5700
CRI	>80	>80	>80
Beam Angle	120°	120°	120°
Weight (kg)	4.8	6.45	8.85